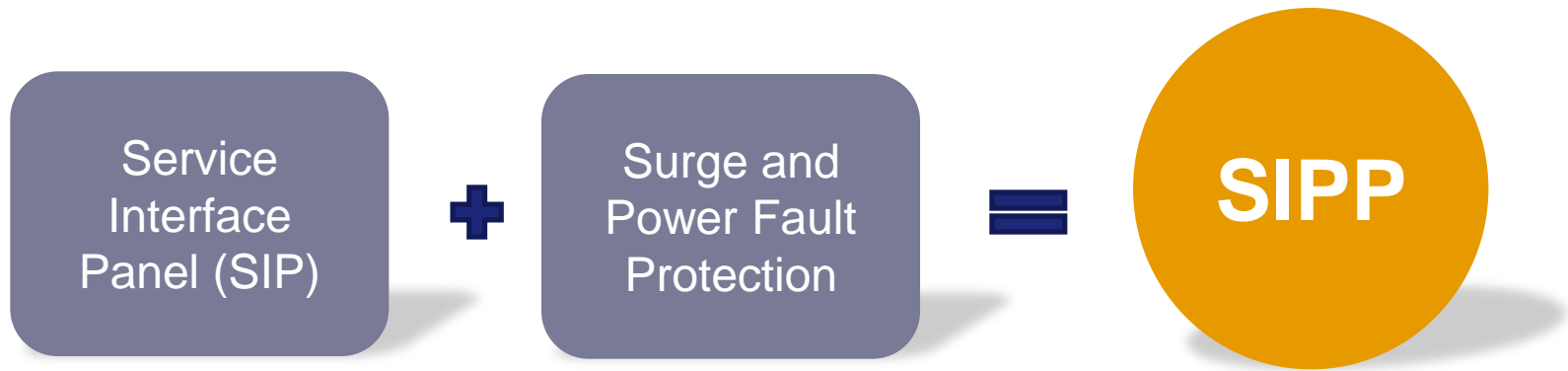


# Service Interface Protection Panel (SIPP)

Product Overview

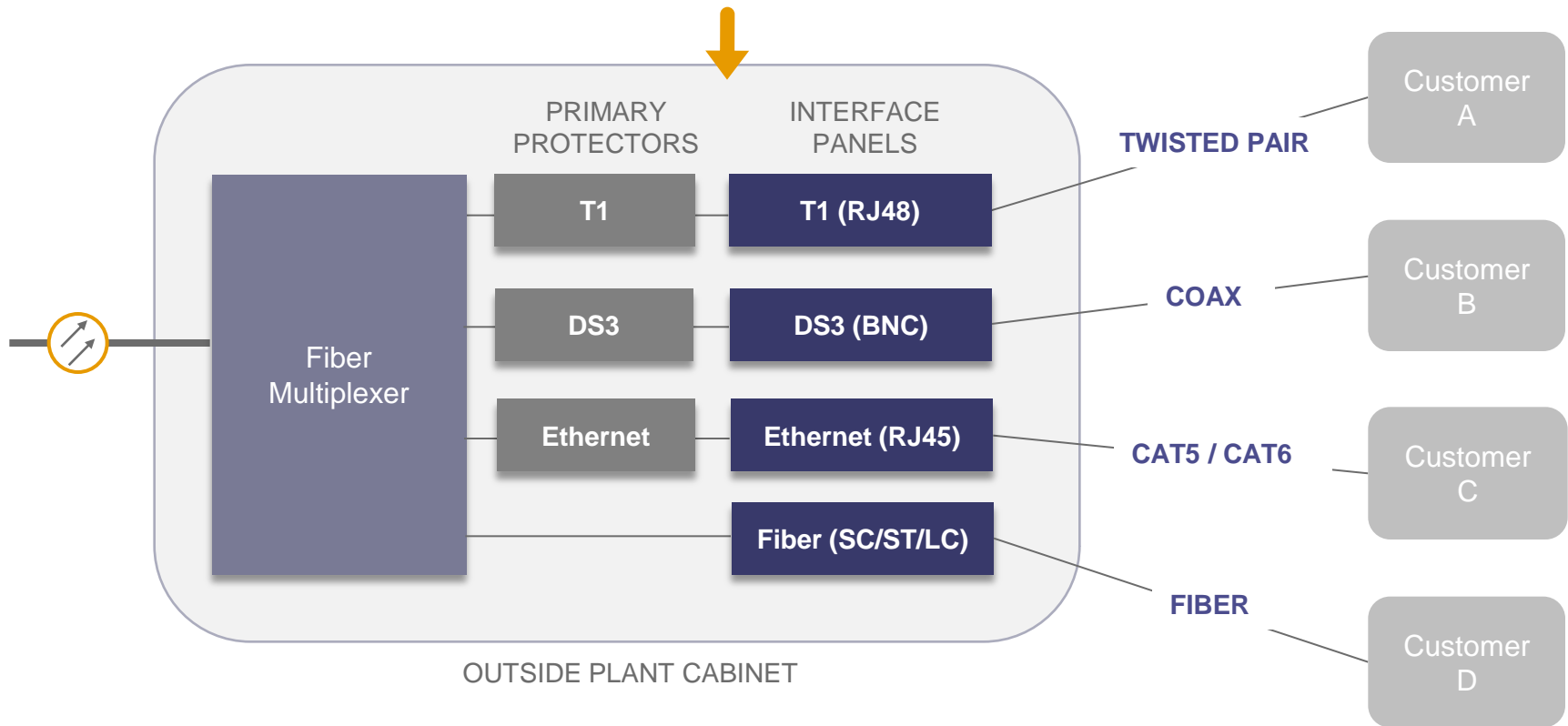
# Service Interface Protection Panel (SIPP)



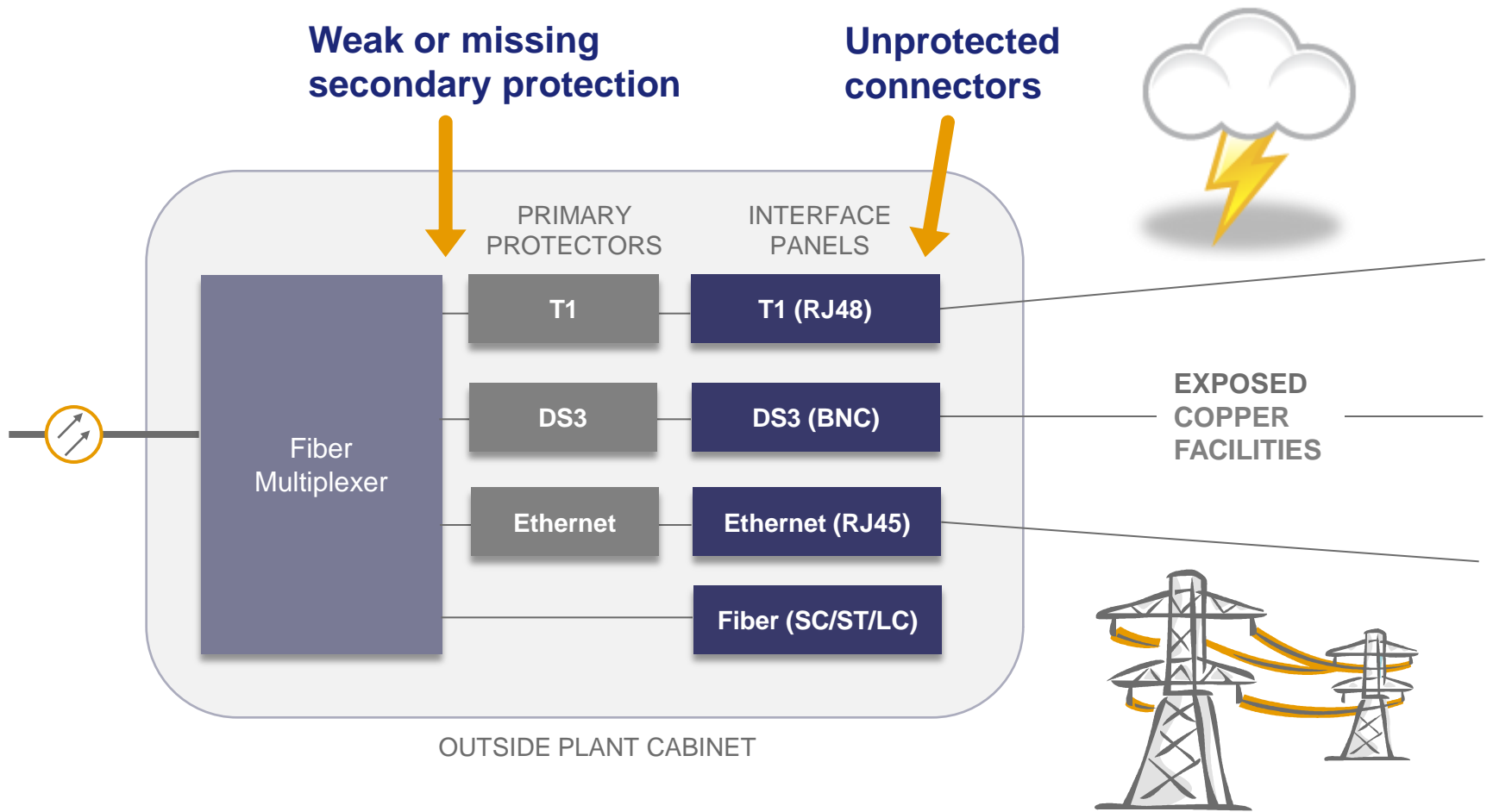
**Safe, reliable, and easy-to-configure connections for outside plant services.**

# Remote service delivery...today

Multiple protection blocks  
and service interface panels

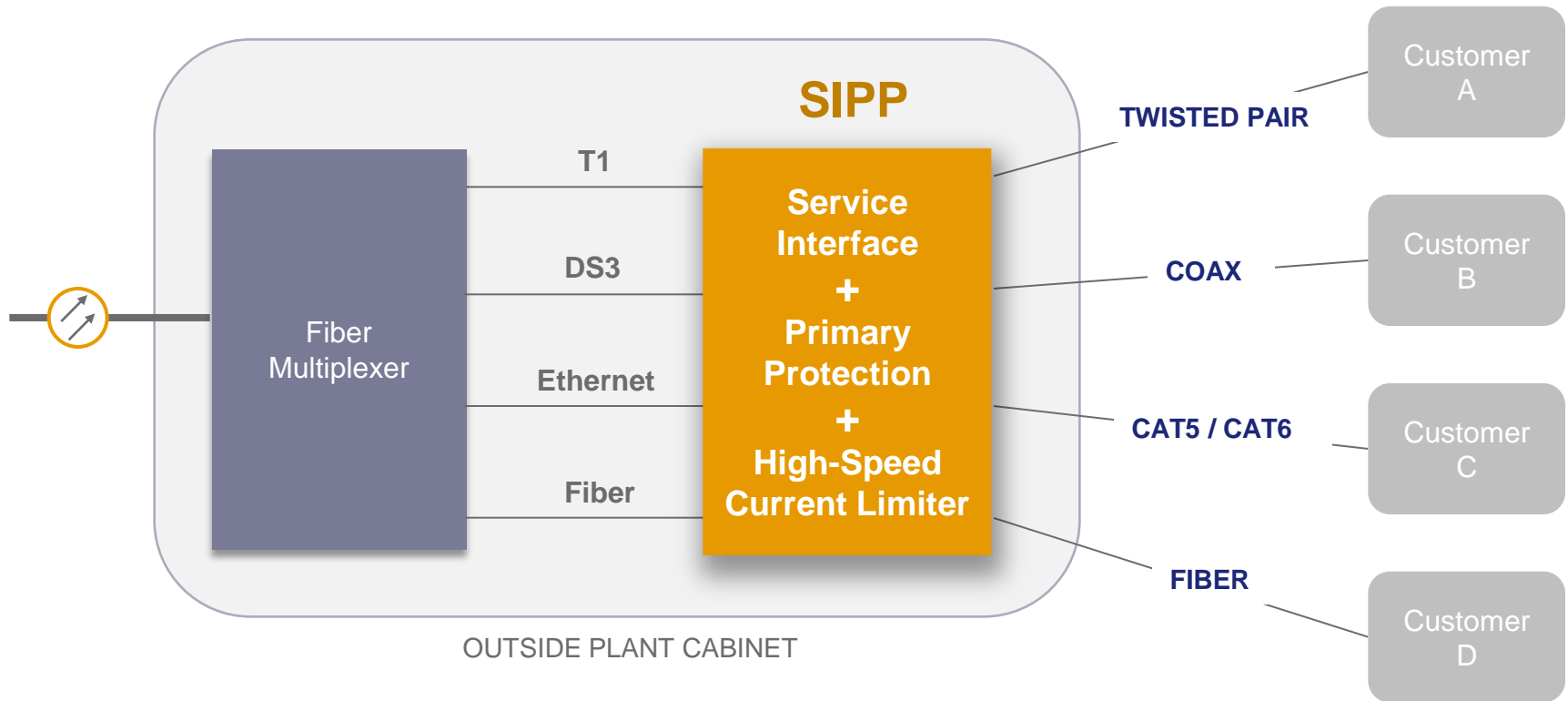


# Exposure to lightning and AC



# Integrated SIPP solution

Full protection and grooming of all services in a single panel!

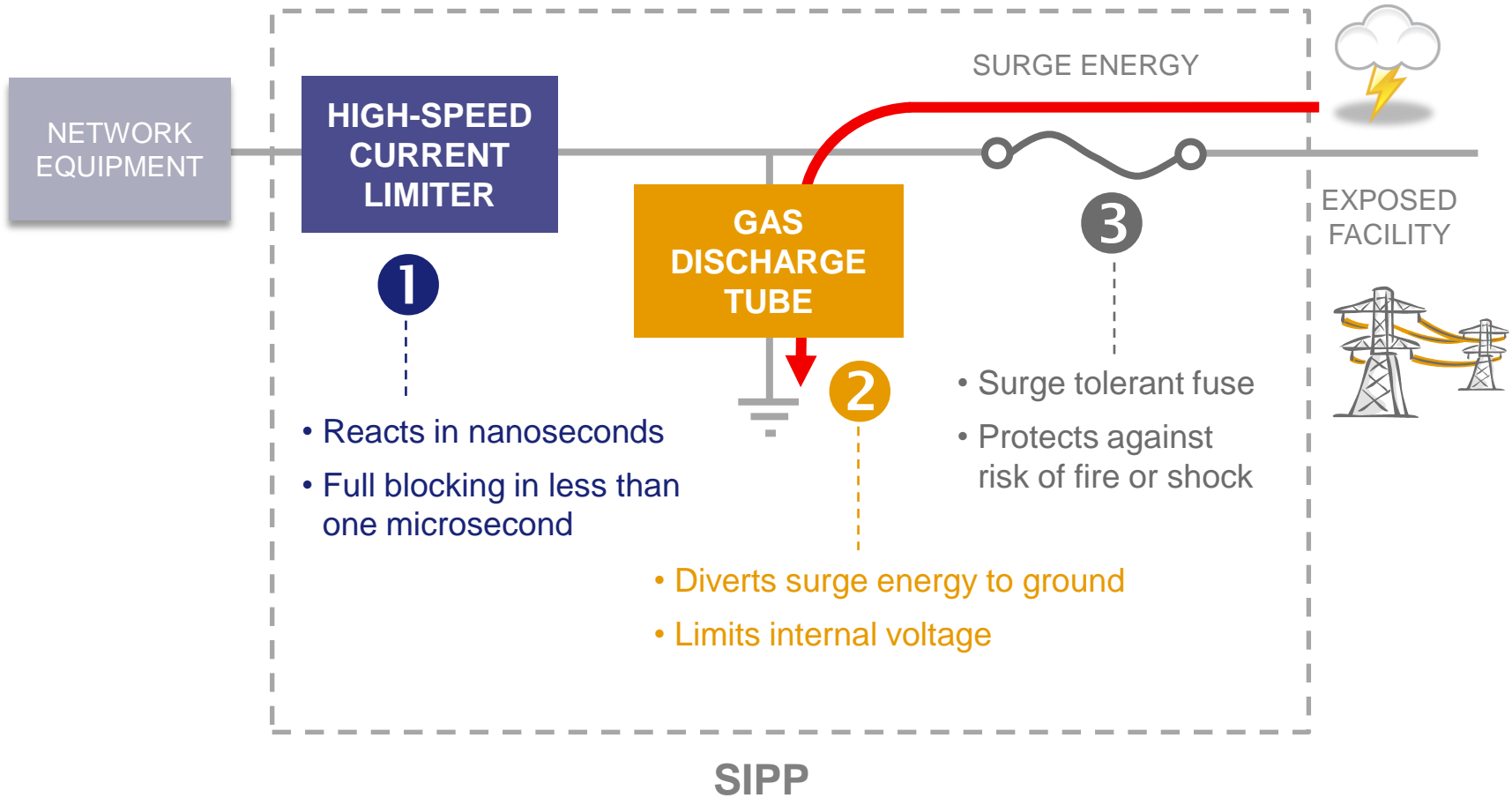


# Key SIPP features



- Compact plug-in modules for Ethernet, DS3, or DS1 protection (dry loop)
- Fast-acting suppression of lightning surges and AC power faults
- Tested to Telcordia GR-974, GR-3108, and NEBS requirements
- Multi-port coupler for fiber or unexposed cable

# Coordinated protection



# Benefits to service providers



- MAXIMUM protection of equipment and people
- Consolidates and organizes all broadband connections
- Saves space, simplifies cabling, and reduces installation time
- Lowest total cost solution



# Easy to tailor for any application

Chassis	Capacity	Mounting
	6-slot	Wall or rack rail
	18-slot	19"/23" rack (1RU) or wall
	36-slot	19"/23" rack (2RU) or wall

Modules	Service	Connector
	Ethernet 10/100	RJ45
	DS3	BNC, monitor optional
	T1/E1	RJ48, monitor optional
	Pass-through fiber or copper	4-port module for SC, ST, LC, RJ45 couplers

■ Customer connections are on front ■ Network connections available on front or rear



# SIPP

## Connectivity and Protection Solutions



[www.enginuitycom.com](http://www.enginuitycom.com)