

# Model CG-5 Cable Guides for OnSite™ WR-5U Wall Rack

---

1. OVERVIEW .....	1
2. APPLICATIONS .....	1
3. DESCRIPTION .....	1
4. INSTALLATION .....	1
5. TESTING AND TROUBLESHOOTING .....	2
6. CUSTOMER SERVICE .....	2
7. WARRANTY & REPAIRS .....	2
8. SPECIFICATIONS .....	2

---

## 1. OVERVIEW

Model CG-5 is a package of five cable guides that can be used with Engenuity's OnSite WR-5U Wall Rack to provide cable management. A single cable guide is illustrated in Figure 1.

### Document Status

Whenever updates are made to this product or practice, they will be noted in this paragraph.

## 2. APPLICATIONS

Cable guides can be installed on either side of the WR-5U to groom cables from the front of installed equipment to the rear of the mounting. Up to five cable guides can be installed per side.

## 3. DESCRIPTION

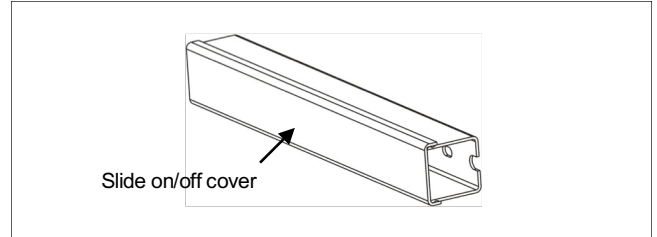
Each cable guide forms a channel that aligns with a single rack space (1U) on the WR-5U Wall Rack, and includes a removable cover. Five cable guides are packaged together as Model CG-5.

## 4. INSTALLATION

The CG-5 shipping carton contains the following:

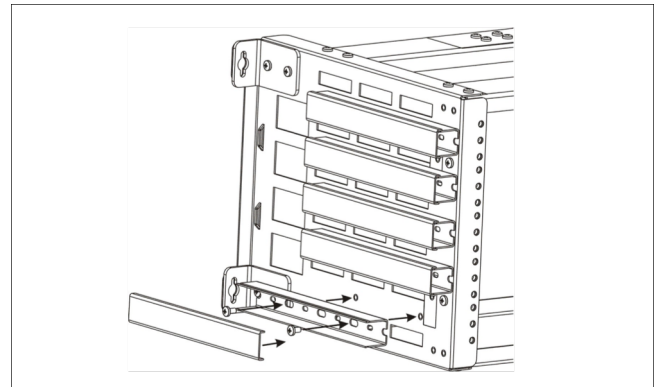
- Five (5) cable guides with removable covers
- Ten (10) #10-32 x 3/8" Phillips-head screws
- Product documentation

To install and use the individual cable guides, refer to Figure 2 and the steps below.

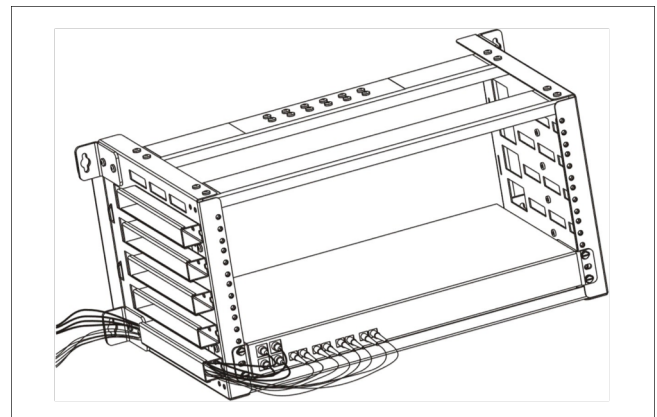


**Figure 1. Cable guide**

- ① To install a cable guide to the side of the mounting, first remove the sliding cover from the cable guide. Insert two of the #10-32 x 3/8" screws (included with the CG-5 cable pack) through the cable guide and into the threaded holes on the side of the WR-5U frame.
- ② Groom cabling from the front of the chassis to the wall through the cable guide on the side of the WR-5U, as shown in Figure 3, and replace the sliding cover.



**Figure 2. Cable guide installation**



**Figure 3. Cable guide application**

## 5. TESTING AND TROUBLESHOOTING

Each piece of equipment installed in the WR-5U should be tested according the manufacturer's instructions.

## 6. CUSTOMER SERVICE

If technical or customer assistance is required, please contact Enginuity at the following address or phone number:

Enginuity Communications  
3545 Stern Avenue  
St. Charles, Illinois 60174  
Toll Free: 1-800-980-3266  
www.enginuitycom.com

## 7. WARRANTY & REPAIRS

### Warranty

Enginuity warrants this product for one (1) year from date of purchase. Any attempt to repair or modify the equipment by anyone other than an authorized Enginuity representative will void the warranty.

This limited warranty does not cover any losses or damages resulting from shipment to or from the customer, or from improper installation, abuse, modifications, or unauthorized repair by other than Enginuity personnel.

### Repair and Return

Enginuity equipment will be repaired or replaced without cost during the warranty period if the product is defective for any reason other than abuse, improper use, or improper installation. Before returning defective equipment, first request a Return Material Authorization (RMA) number from Enginuity. Once an RMA number is obtained, return the unit, freight prepaid, along with a brief description of the problem, to:

Enginuity Communications  
3545 Stern Avenue  
St. Charles, Illinois 60174  
ATTN: Repair & Return Dept.

Replacements will be shipped in the fastest manner consistent with the urgency of the situation. Repair or replacement of faulty equipment beyond the warranty period is available for a nominal charge. Contact Enginuity for details.

## 8. SPECIFICATIONS

Part Number	CG-5
Description	Pack of (5) cable guides for WR-5U
Height	1.0 inches (each)
Width	1.3 inches (each)
Depth	7.8 inches (each)
Weight	2.0 ounces (each)