

# OnSite™ Rack-Side Mounting Bracket Model RSMB-1

## OVERVIEW

The RSMB-1 allows certain equipment to be mounted to the side of a standard equipment rack or perpendicular to a wall or backboard. The bracket plate provides threaded holes that match the mounting hole locations of the supported products.

## APPLICATION

By allowing equipment to be mounted edge-forward (versus flat-mounted to a wall), the RSMB-1 minimizes the amount of space required for installation. This is especially valuable on customer premises where wall space is at a premium.

## INSTALLATION

The RSMB-1 attaches to any rack rail that uses industry-standard hole spacing, or to a wall or backboard. Please refer to the following steps and Figures 1 and 2 when installing.

### Rack rail mounting

- 1) Align the vertical mounting holes of the RSMB-1 with the vertical holes of the rack rail, with the mounting plate on the outside of the rack. The symmetrical design of the RSMB-1 allows it to be mounted on either the left or right rail.
- 2) Use two rack mounting screws (user provided) to securely fasten the bracket to the rail.
- 3) Align the mounting holes of the equipment being mounted with the matching hole pattern on the RSMB-1 mounting plate.
- 4) Use the included machine screws to fasten the unit to the mounting plate.

### Wall or backboard mounting

- 1) Position the RSMB-1 in the desired location on the wall or backboard with the vertical holes of the bracket against the surface.
- 2) Use two appropriately sized screws (user provided) to securely fasten the bracket to the mounting surface.
- 3) Align the mounting holes of the equipment being mounted with the matching hole pattern on the RSMB-1 mounting plate.
- 4) Use the included machine screws to fasten the unit to the mounting plate.

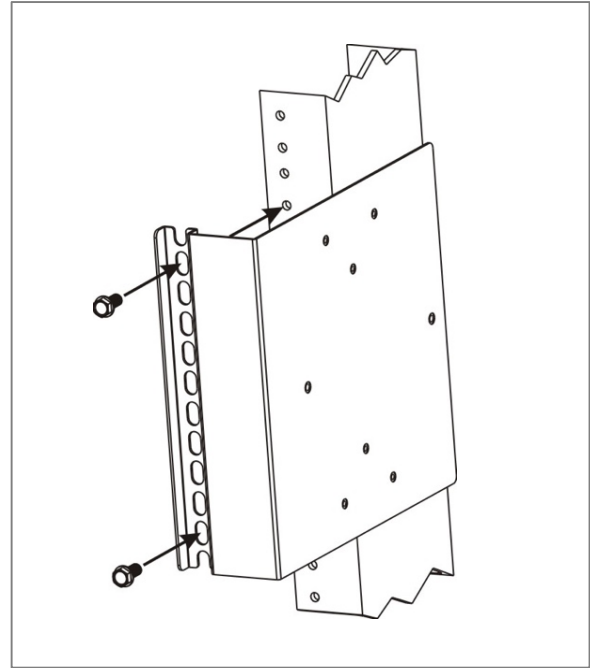


Figure 1. RSMB-1, rail mounted (right-side)

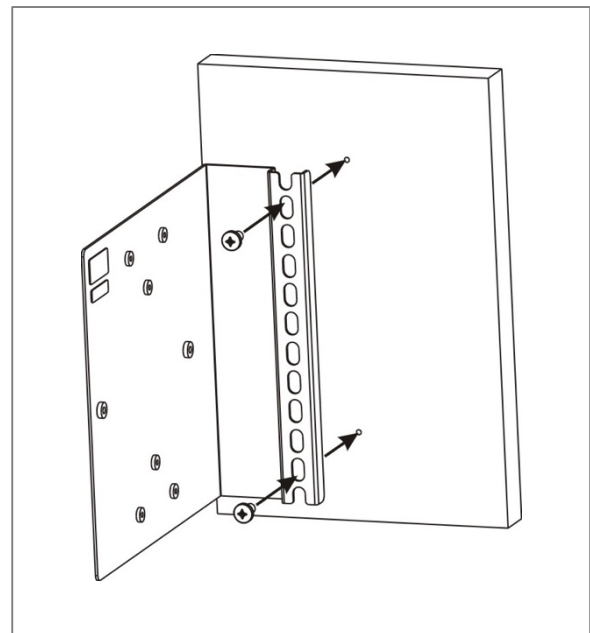


Figure 2. RSMB-1, wall mounted

## CUSTOMER SERVICE

If technical or customer assistance is required, please contact Enginuity at the following address or phone number:

Enginuity Communications  
3545 Stern Avenue  
St. Charles, IL 60174  
Toll Free: 1-800-980-3266  
Local: (630) 444-0778  
www.enginuitycom.com

## WARRANTY & REPAIRS

### Warranty

Enginuity warrants this product for one (1) year from date of purchase. Any attempt to repair or modify the equipment by anyone other than an authorized Enginuity representative will void the warranty.

This limited warranty does not cover any losses or damages resulting from shipment to or from the customer, or from improper installation, abuse, modifications, or unauthorized repair by other than Enginuity personnel.

### Repair and Return

Enginuity equipment will be repaired or replaced without cost during the warranty period if the product is defective for any reason other than abuse, improper use, or improper installation. Before returning defective equipment, first request a Return Material Authorization (RMA) number from Enginuity. Once an RMA number is obtained, return the unit, freight prepaid, along with a brief description of the problem, to:

Enginuity Communications  
3545 Stern Avenue  
St. Charles, Illinois 60174  
ATTN: Repair & Return Dept.

Replacements will be shipped in the fastest manner consistent with the urgency of the situation. Repair or replacement of faulty equipment beyond the warranty period is available for a nominal charge.

## SPECIFICATIONS

Part Number	RSMB-1
Description	Rack-side mounting bracket
Height	6.6 inches
Width	2.2 inches
Depth	6.9 inches
Weight	6 ounces